



## 500 • 19" **VARI 500** wall-mounting enclosure



### Flexible

This apra-norm enclosure series is characterized by its high flexibility and simple yet versatile construction. Its design allows components to be installed easily.

# VARI 500



Compact enclosure



Wall-mounting enclosure



Pivot enclosure, 3-part

### 19" VARI 500 enclosure system

- enclosure can be used as
  - compact enclosure/cabinet
  - wall-mounting enclosure
  - pivot enclosure, 3-piece
- stable basic construction
- doors with turning lever lock and 3-point locking system
- 180° hinges
- IP 54
- installation dimensions in compliance with IEC 297-1

Vari 500 is perfect for all construction types, whether used as a wall-mounting enclosure, a compact enclosure or a wall-mounting pivot enclosure. The Vari 500 series was designed according to your demands. Three standard models offer you countless combination options. You order the individual parts you need, and we deliver an assembled enclosure based on your specifications. If you have any questions, just ask us. We would be happy to advise you and manufacture your customized Vari 500.

Matching 19" plug-in units

see p. 4.1

Matching 19" subracks

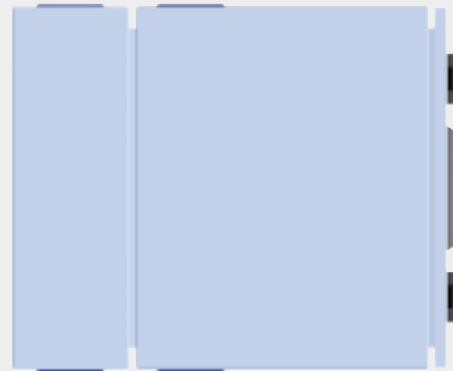
see p. 5.1



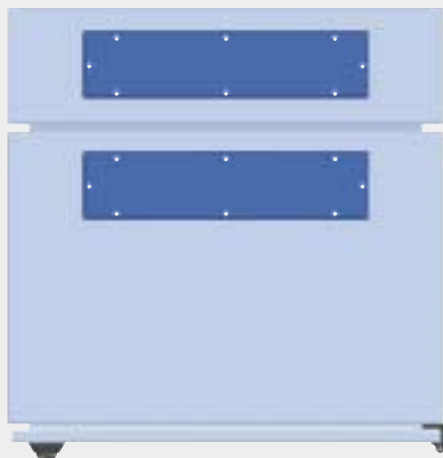
## Specifications



Front view



Side view



Top view

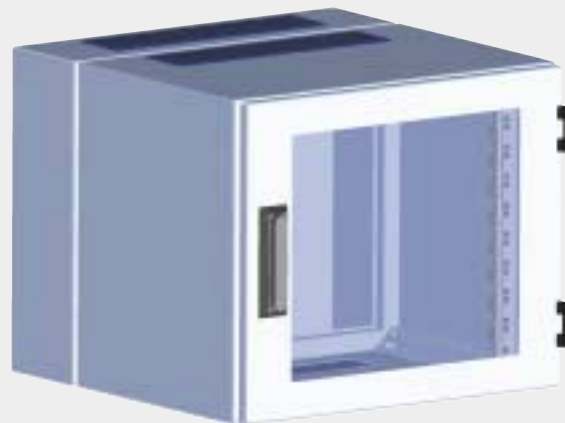


Fig.: Pivot enclosure, 3-part

**Application:**

can be used as a wall-mounting, compact or pivot enclosure; for industrial use and networking

**Construction:**

see figure above  
(Example: pivot enclosure)

**Finish:**

RAL 7035 light grey

**Degree of protection:**

IP 54

**Material:**

sheet steel

**Delivery:**

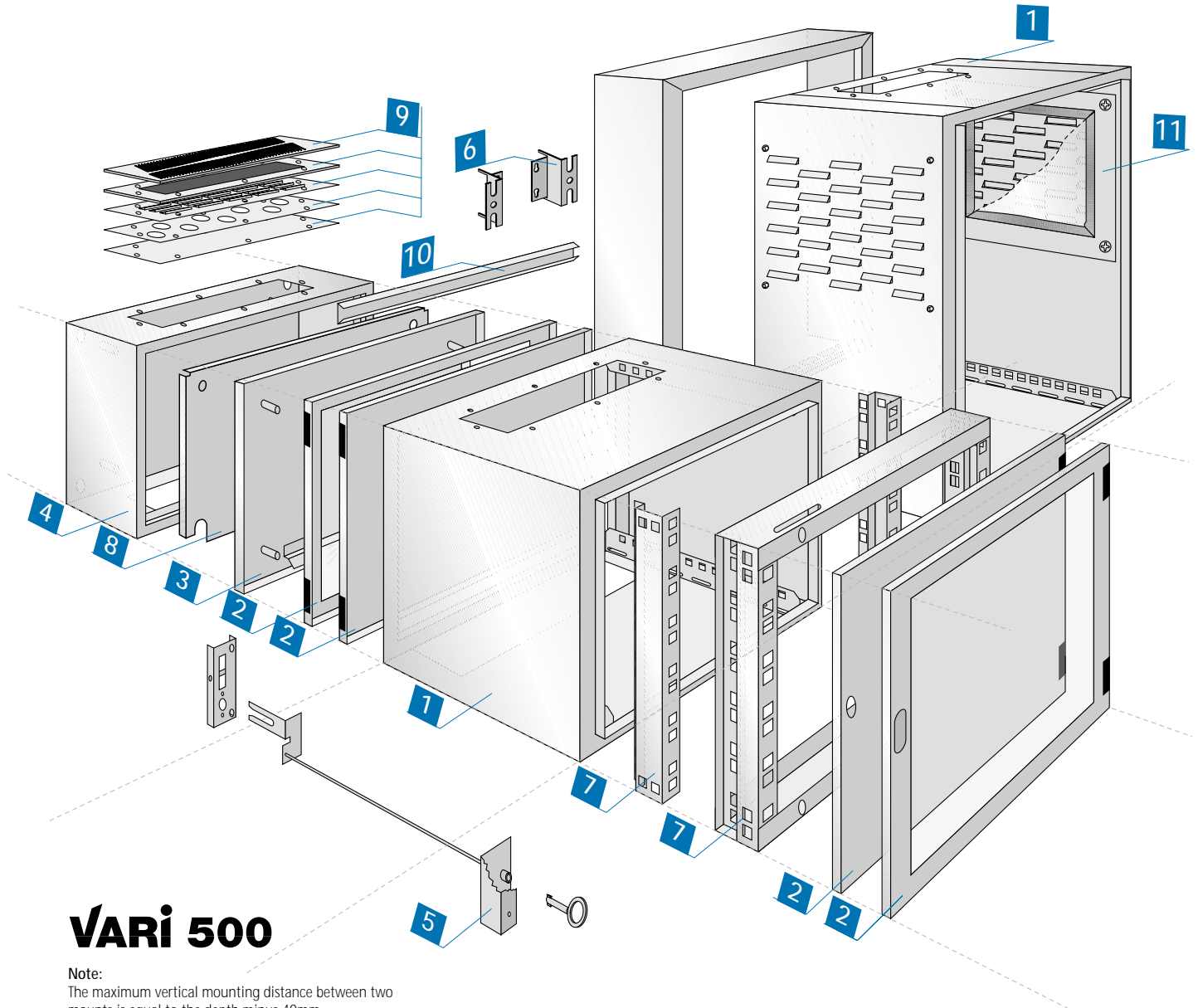
assembled, one cardboard box



# 500 • 19" VARI 500 wall-mounting enclosure



**Individual configuration:** Design your own customized wall-mounting enclosure. Select your required enclosure components one at a time.



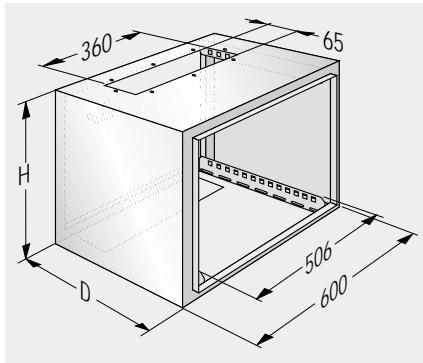
## VARI 500

**Note:**  
 The maximum vertical mounting distance between two mounts is equal to the depth minus 40mm.  
 Please keep this measurement in mind when selecting your enclosure.

Item	Description	Page
1	Basic enclosure	2.13
2	Doors	2.13
3	Rear panel	2.13
4	Wall-mounting enclosure expansion	2.14
5	Lock system	2.14
6	Wall mounting hardware set	2.14
7	19" extension	
8	Mounting plate	2.14
9	Cable flange plates/brush set	2.15
10	Cable ducts	2.15
11	Cover plate for vent area	2.15



## 1 Basic enclosure, solid

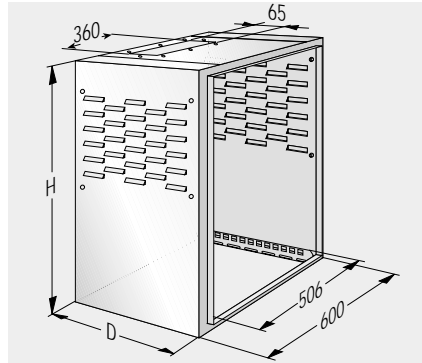


- with cable entry options from above and below

Finish: RAL 7035 light grey

Depth (D) mm	Height (H) mm	Part no.
400	350	50-0062-00
	500	50-0092-00
	600	50-0122-00
600*	350	50-0063-00
	500	50-0093-00
	600	50-0123-00

## 1 Basic enclosure, ventilated

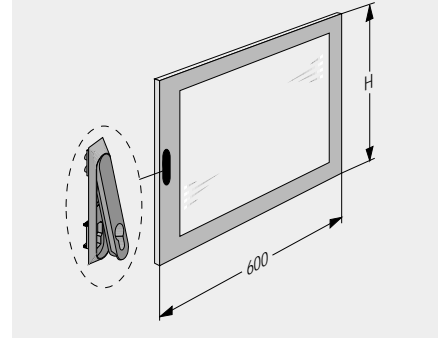


- with cable entry options from above and below

Finish: RAL 7035 light grey

Depth (D) mm	Height (H) mm	Part no.
400	750	50-0152-00
	900	50-0182-00
	1150	50-0242-00
600*	750	50-0153-00
	900	50-0183-00
	1150	50-0243-00

## 2 Door with safety glass

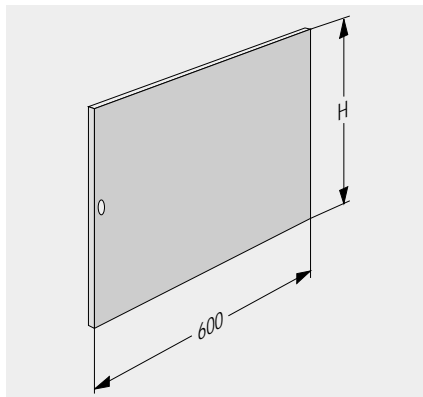


- turning lever lock for profile semi-cylinder (see profile semi-cylinder below)

Finish: RAL 7035 light grey

Height (H) mm	Part no.
350	50-0005-00
500	50-0008-00
600	50-0011-00
750	50-0014-00
900	50-0017-00
1150	50-0023-00

## 2 Door, closed

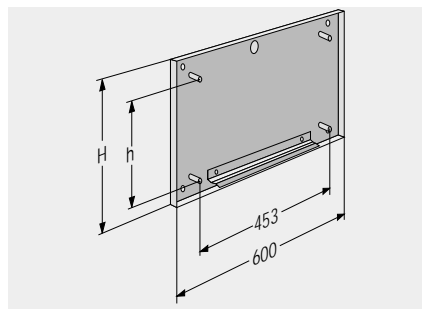


- sash fastener
- 2 fasteners for H = 600mm and greater

Finish:  
RAL 7035 light grey

Height (H) mm	Part no.
350	50-0007-00
500	50-0010-00
600	50-0013-00
750	50-0016-00
900	50-0019-00
1150	50-0025-00

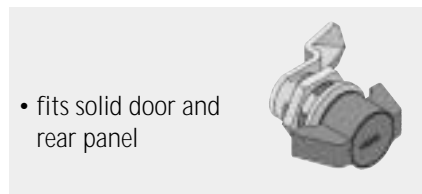
## 3 Rear panel for basic enclosure



Finish: RAL 7035 light grey

Height (H) mm	h mm	Part no.
350	200	50-0226-00
500	350	50-0229-00
600	450	50-0232-00
750	600	50-0235-00
900	750	50-0238-00
1150	1000	50-0244-00

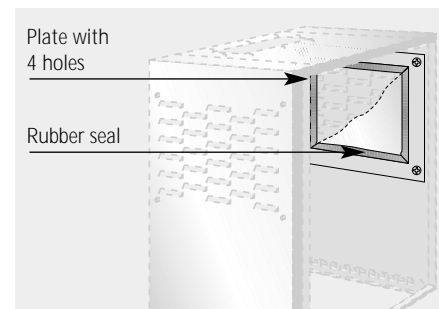
## Sash handle



- fits solid door and rear panel

Part no.
676-197

## 11 Cover plate for basic enclosure, ventilated

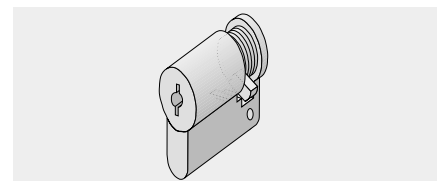


- with self-adhesive rubber seal

Material: sheet steel

Part no.
50-0024-10

## Profile semi-cylinder



- fits into the turning lever lock
- incl. 2 keys

Part no.
676-062

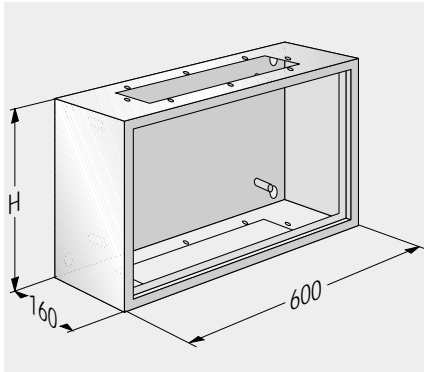
\* These basic enclosures cannot be combined with a wall-mounting enclosure expansion.



# 500 • 19" VARI 500 wall-mounting enclosure



## 4 Wall-mounting enclosure expansion



- 160mm deep, for expanding a three-part pivot enclosure

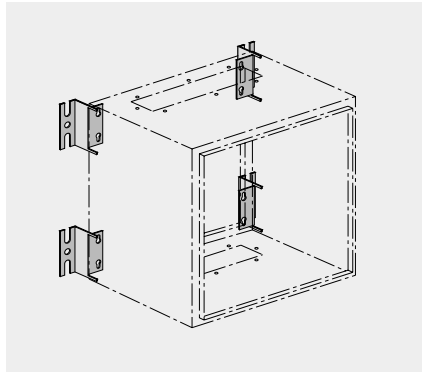
### Note:

The wall-mounting enclosure expansion can be combined **only** with a 400mm deep basic enclosure

**Finish:** RAL 7035 light grey

Height (H) mm	Part no.
350	50-0060-00
500	50-0090-00
600	50-0120-00
750	50-0150-00
900	50-0180-00
1150	50-0240-00

## 6 Wall mounting hardware set for basic enclosures and wall-mounting enclosure expansion



- The wall mounting hardware set allows you to mount the basic enclosure and the enclosure expansion on a wall.

### Included in delivery:

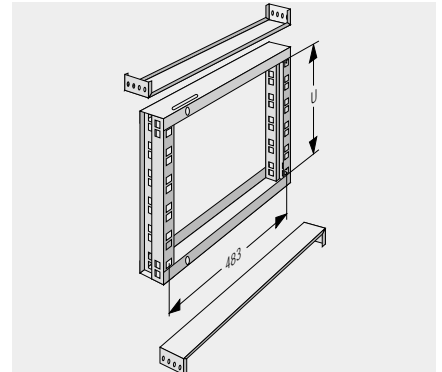
4 fixing brackets with screws, nuts and washers

### Material:

sheet steel, galvanized

Part no.
500-099

## 7 19" hinged frame



Plug-in depths: approx. 240mm

### Included in delivery:

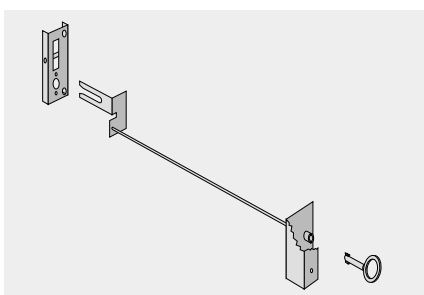
includes tie-bar and mounting material

### Finish:

RAL 7035 light grey

Height (H) mm	U	Part no.
500	7	50-0409-00
600	10	50-0412-00
750	13	50-0415-00
900	16	50-0418-00
1150	22	50-0424-00

## 5 Lock system for three-part enclosure



**Note:** 2 lock systems are required for H = 600mm and greater

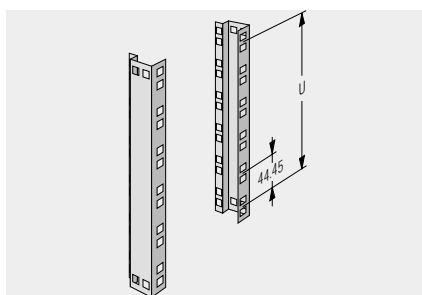
### Finish:

galvanized and blue passivated

D = depth of the basic enclosure

Depth (D) mm	Part no.
400	676-362

## 7 19" vertical mounting

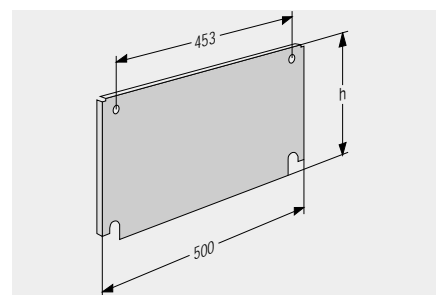


- can be set in 25mm increments towards the rear
- incl. assembly material

**Material:** sheet steel, galvanized

Height (H) mm	U	Part no.
350	6	500-306
500	9	500-309
600	12	500-312
750	15	500-315
900	18	500-318
1150	24	500-324

## 8 Mounting plate



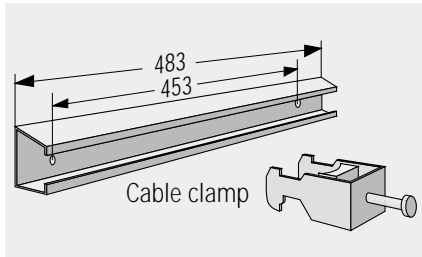
### Finish:

galvanized

Height (H) mm	h mm	Part no.
350	230	500-106
500	380	500-109
600	480	500-112
750	630	500-115
900	780	500-118
1150	1030	500-124



## 10 Cable duct



- for rear lateral installation

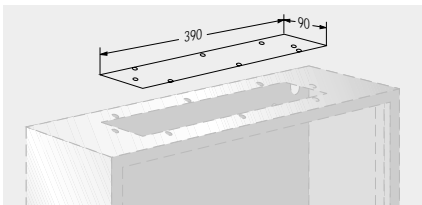
Order cable clamps separately.  
Finish: galvanized

Part no.
500-100

### Cable clamp

For cable diameter	Part no.
∅ 8-12	640-132
∅ 12-16	640-133
∅ 16-22	640-134

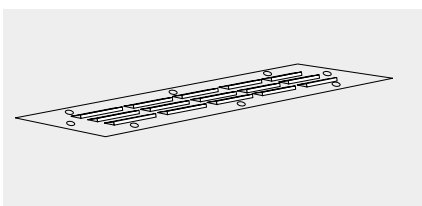
## 9 Cable flange plate, solid



- with individual cut-outs on request
  - incl. assembly material
- Finish: RAL 7035 light grey

Part no.
50-0131-00

## 9 Vent plate, passive ventilation

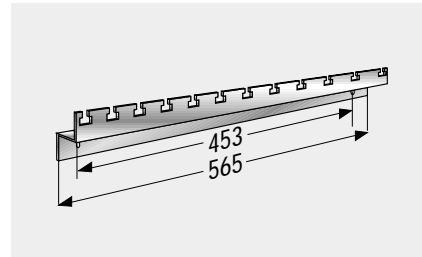


- incl. assembly material

Finish:  
RAL 7035 light grey

Part no.
50-0132-00

## 10 Cable management bracket

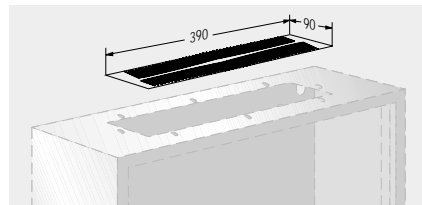


- for bundling and providing tension relief for cables with cable ties
- for rear lateral installation
- incl. assembly material

Finish: RAL 7032 pebble grey

Part no.
315-800

## 9 Brush set for flange plate opening

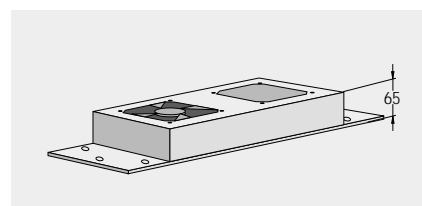


- incl. assembly material

Finish: RAL 7035 light grey

Part no.
50-0133-00

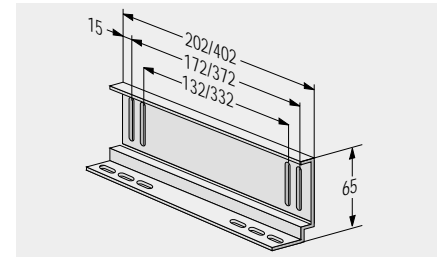
## 9 Fan unit, active ventilation



- fan unit can be expanded to two fans

Finish:  
RAL 7035 light grey

## Sliding rail for basic enclosure

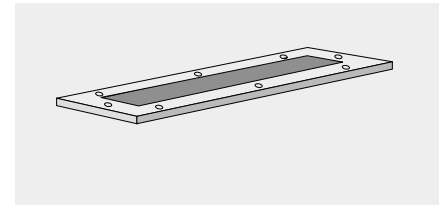


Sliding rails are mounted on the 19" vertical mountings. They support heavy 19" plug-in units. Two 19" mounts are required for anchoring them.

Material:  
sheet steel, 2mm, galvanized

Enclosure depth (D) mm	Part no. (pair)
400	312-543
600	312-544

## 9 Cable plate with rubber insert



- for guiding in cables easily
  - incl. assembly material
- Finish: RAL 7035 light grey

Part no.
50-0095-00

The fan unit is screwed onto the upper cable entry opening. It is factory-wired with a fan and wired to a terminal. **The thermostat is integrated.** The fan is covered on one side with a fan guard. Fan output: 160m<sup>3</sup>/h

Description	Part no.
Fan unit	50-0698-10
Matching fan	230-804

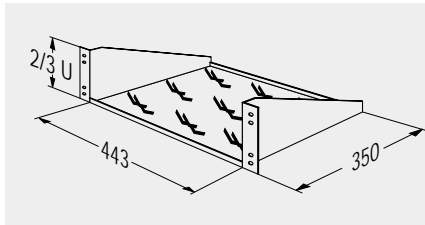


# 500 • 19" VARI 500 wall-mounting enclosure



## Accessories

### 19" shelf, fixed



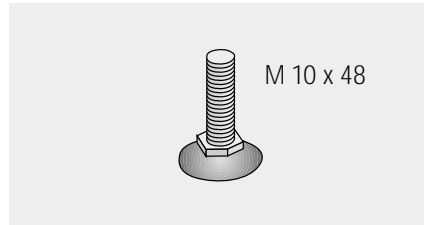
- easy installation on 19" vertical mounting
- ventilated
- incl. assembly material

Carrying capacity: approx. 15kg

Finish: RAL 7035 light grey

Height	Part no.
2 U	31-5810-20
3 U	31-5810-00

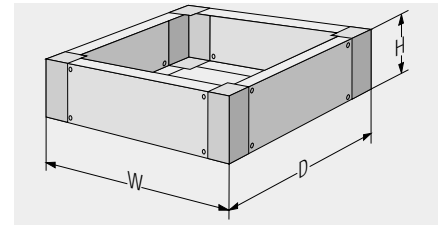
### Adjusting feet (4 pc.)



- screws onto the basic enclosure
- 4 adjusting feet
- setting range: approx. 20mm
- incl. assembly material

Part no. (set)
50-0550-00

### Base



- stable, bolted design
- panels can be removed one at a time, allowing the cables to be led in easily
- stackable

Finish: RAL 7035 light grey

Height (H) mm	Depth (D) mm	Part no.
100	400	50-0327-10
100	600	50-0327-00

### Castor set



#### Castor set 1:

- 4 swivel castors without brakes

Carrying capacity: 30kg per castor

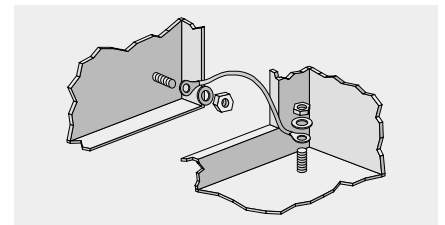
#### Castor set 2:

- 4 swivel castors, 2 of which have brakes

Carrying capacity: 80kg per castor

Description:	Part no.
Castor set 1	50-0330-00
Castor set 2	50-0330-10

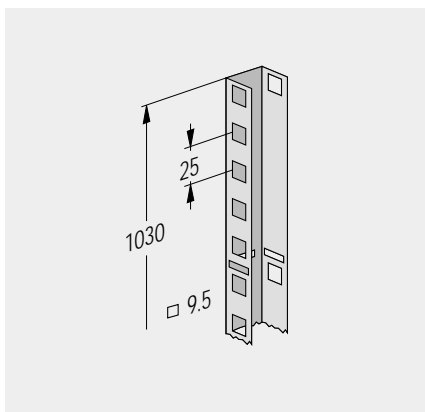
### Earthing kit



- this set allows the earthing of enclosure components in compliance with VDE
- cable diameter 2.5mm<sup>2</sup>

Part no.
50-0840-00

### Vertical strut



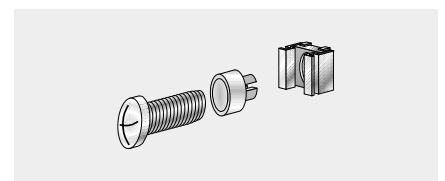
- for wall-mounting enclosure expansion or rear panel
- for adjusting cable duct mounting height

**Note:** The vertical strut must be cut to the height of the enclosure.

Finish: galvanized

Part no.
50-0100-03

### 19" screw set M5/M6



#### Included in delivery:

- 50 oval head screws, M5 x 12/M6 x 16
- 50 captive nuts, M5/M6
- 50 decorative washers, M5/M6 with collar

Description	Part no.
M5	630-991
M6	630-994



## Complete solutions:

### 19" VARI 500 wall-mounting enclosure, 3-piece

- wall-mounting enclosure with hinged centre section, 400mm deep and interior lock for enclosure expansion
  - 19" front mount
  - safety glass door with turning lever lock for profile semi-cylinder
  - incl. M5 screw set (4 pc.)
- Order cable flange plates separately (see page 2.15).

**Dimensions:** (H x W x D):

H x 600mm x 590mm

**Finish:** RAL 7035 light grey

**Delivery:**

assembled, one cardboard box

H (mm)	U	D (mm)	Part no.
350	6	590	50-0201-06
500	9	590	50-0201-09
600	12	590	50-0201-12
750	15	590	50-0201-15
900	18	590	50-0201-18
1150	24	590	50-0201-24



19" wall-mounting enclosure, 3-piece

### Included in delivery

Item	Pc.	Description
1	1	Wall-mounting enclosure expansion
2	1	Basic enclosure
3	1	Glass door with turning lever lock

Item	Pc.	Description
4	2	Vertical mounting
5	1/2*	"Vari 500" lock
6	1	M5 screw set (4 pc.)

\*Note: 2 pieces included in delivery for H=600mm and greater!

### 19" VARI 500 wall-mounting enclosure, 2-piece

- 400mm basic enclosure
  - 19" front mount
  - safety glass door with turning lever for profile semi-cylinder
  - removable rear panel
  - incl. wall mounting bracket
- Order cable flange plates separately (see page 2.15).

**Dimensions:** (H x W x D):

H x 600mm x 400mm

**Finish:** RAL 7035 light grey

**Delivery:** assembled, one cardboard box

H (mm)	U	D (mm)	Part no.
350	6	400	50-0202-06
500	9	400	50-0202-09
600	12	400	50-0202-12
750	15	400	50-0202-15
900	18	400	50-0202-18
1150	24	400	50-0202-24



19" wall-mounting enclosure, 2-piece

### Included in delivery

Item	Pc.	Description
1	1	Basic enclosure
2	1	Glass door with turning lever lock
3	1	Rear panel

Item	Pc.	Description
4	1	Wall mounting hardware set
5	2	Vertical mounting
6	1	M5 screw set (4 pc.)





## 500 • 19" VARI 500 compact cabinet



### 19" compact cabinet, preferred type 24 U

- 19" compact cabinet, sheet steel with dimensions:  
H = 1250mm, W = 600mm, D = 600mm
- front safety glass door with pivoting lever for profile semi-cylinder
- rear door, solid
- cable entry options from above and below
- 19" mount, 24 U adjustable mounting depth
- cable entry base H = 100mm with removable panels on all four sides
- 19" M5 screw set

**Delivery:**  
assembled, one cardboard box

**Finish:**  
RAL 7035 light grey

#### Included in delivery

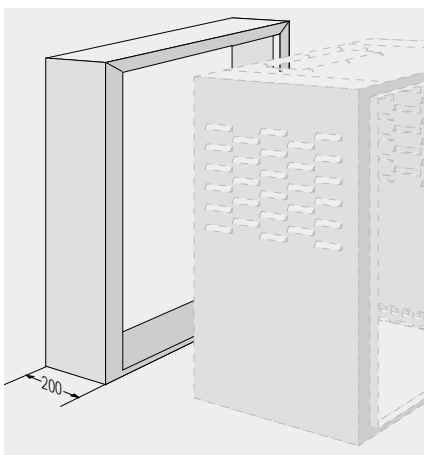
Item	Pc.	Description
1	1	Basic enclosure, ventilated, H = 1150mm
2	1	Door, closed
3	1	Glass door with turning lever lock
4	2	19" vertical mountings, 24 U
5	1	Base H=100mm
6	1	19" M5 screw set

You can find additional sizes in the Individual Configuration section beginning on p. 2.12.

<b>Part no.</b>
50-0000-60

**Note:**  
Cable flange plates are available for closing the top/floor openings (see p. 2.15)

#### Frame



- for deepening the above enclosure by 200mm for a total depth of 800mm

<b>Part no.</b>
50-0241-00