



exceptional  
functionality

ZENITH<sub>2.0</sub>



Sample configuration:  
enclosure with viewing door and solid rear panel



### 19" enclosure system ZENITH<sub>2.0</sub>

- future-oriented, functional design
- integrated side handle bar
- integrated "invisible" ventilation
- individual division by depth grids possible
- modular construction
- can be used as a 19" cabinet system up to 18 U
- installation dimensions acc. to IEC 60297-3-100

All individual pieces of the frame construction are designed for easy handling and high flexibility.

When developing these enclosures, apra focused on long lifetime and solid construction and protecting components from external influences. The advanced design with a high recognition rate and functionality distinguishes this enclosure and sets the standard for its competition.

The exceptional processing, which ranges from technical sophistication to quality details, supplements this optimum enclosure design.

Matching 19" plug-in units → see page 65

Matching 19" subracks → see page 79



19" enclosure system ZENITH 2.0

Technical information

**Application:**

19" plug-in units, shelves and 19" sub-racks can be installed in the enclosure. As available up to 18 U of space it can also be used as a cabinet system.

**Construction:**

solid structure consisting of front and rear aluminium die-cast frames and extruded sections. The side walls and top panels are protected against access from outside and can be demounted from inside! An "invisible" passive ventilation system is integrated in all enclosures.

**Finish:**

frames and top panels:  
RAL 7035 light grey  
vertical extrusions and side panels:  
RAL 7001 silver grey

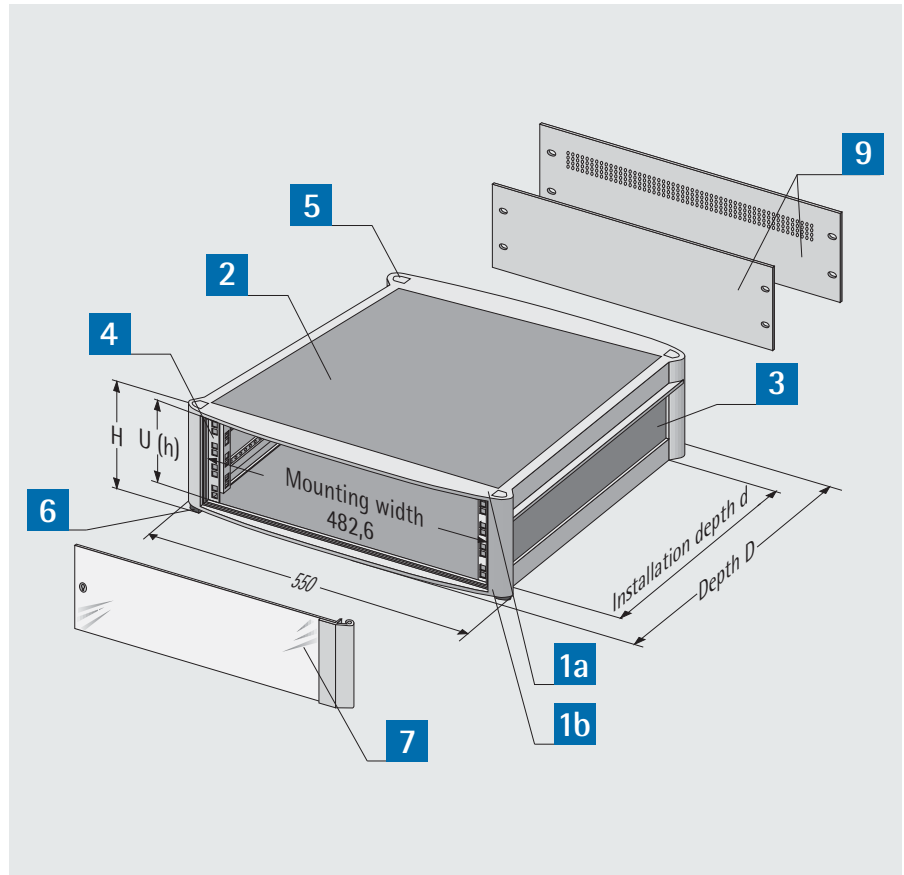
**Delivery:**

assembled

**Standard**

installation dimensions acc. to  
IEC 60297-3-100

**Delivery:** assembled



Available components

Item	Description
1a	Front frame with side handle bar
1b	Bottom frame
2	Top/ bottom panel
3	Side panel
4	Vertical mounting
5	Screw blind
6	Enclosure foot
7	Viewing door with sash fastener
8	Blind cover set (without fig.)
9	Rear panel (ventilated/closed)



## 19" enclosure



### Delivery

Item	Pc.	Description
1a	1	Front frame with side handle bar
1b	1	Bottom frame
2	2	Top/bottom panel
3	2	Side panel
4	4	Vertical mounting
5	4	Screw blind
6	4	Enclosure foot

## 19" enclosure with viewing door



### Delivery

Item	Pc.	Description
1a	1	Front frame with side handle bar
1b	1	Bottom frame
2	2	Top/bottom panel
3	2	Side panel
4	4	Vertical mounting
5	4	Screw blind
6	4	Enclosure feet
7	1	Viewing door with sash fastener
8	1	Blind cover set

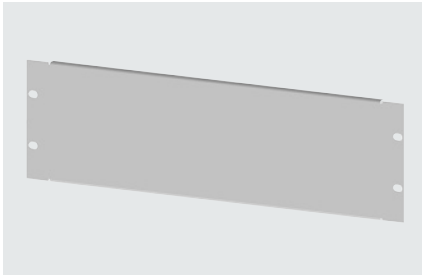
Enclosures with a door have an 50 mm shorter installation depth because the mounting brackets are recessed. Doors in standard version are hinged on the right side, but can also be hinged on the left side upon request.

## Order data and dimensions

Enclosure depth (D) mm	Installation depth (d) mm	Enclosure height U	Enclosure height (H) mm	Installation height (h) mm	Order no. 19" enclosure	Order no. Sliding rail for 19" enclosure	Order no. 19" enclosure with viewing door	Order no. Sliding rail for 19" enclosure with viewing door
525	450	3	170,6	132,5	160-503-10	160-012-52	160-503-60	160-012-56
		4	215,1	177	160-504-10		160-504-60	
		6	304,1	266	160-506-10		160-506-60	
		9	437,1	399	160-509-10		160-509-60	
625	550	4	215,1	177	160-604-10	160-012-62	160-604-60	160-012-66
		6	304,1	266	160-606-10		160-606-60	
		9	437,1	399	160-609-10		160-609-60	
		12	570,6	532,5	160-612-10		160-612-60	
		15	703,3	667	160-615-10		160-615-60	
		18	836,8	800	160-618-10		160-618-60	



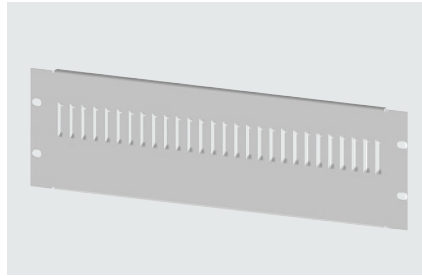
### Rear panel, solid



**Material:** aluminium 1.5 mm  
**Finish:** RAL 7035 light grey

Installation height U	Order no.
2	150-702
3	150-703
4	150-704
5	150-705
6	150-706
9	150-709

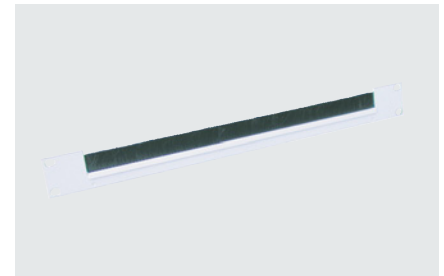
### Rear panel, ventilated



**Material:** aluminium 1.5 mm  
**Finish:** RAL 7035 light grey

Installation height U	Order no.
2	150-712
3	150-713
4	150-714
5	150-715
6	150-716
9	150-719

### 19" cable duct 1 U



- for cable entry
- mounting to a 19" level

**Material:** sheet steel 1.25 mm  
**Finish:** RAL 7035 light grey  
**Dimensions (H x W x D):**  
44 x 482,6 x 12 mm

Order no.
213-146-00

### Shelf, fixed



**Load capacity:** 30 kg  
**Finish:** RAL 7035 light grey

### Shelf, extractable



**Load capacity:** 30 kg  
**Finish:** RAL 7035 light grey

### Carrying handle



**Load capacity:** 50 kg / pair  
**Finish:** RAL 7035 light grey  
**Delivery:** mounted to enclosure

\*For use with 50 mm recessed vertical mountings

Description	Order no.
for D=525 mm	160-015-40
for D=525 mm	160-015-80*
for D=625 mm	160-015-30
for D=625 mm	160-015-70*

Description	Order no.
for D=525 mm	160-015-20
for D=625 mm	160-015-10

Description	Order no. (pair)
for D=525 mm	160-014-45
for D=625 mm	160-014-46

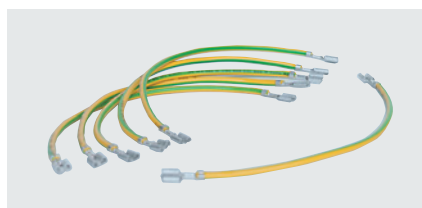
### Castor set



- 4 steering rollers, 2 with parking
  - assembly material included
  - wheel diameter: 50 mm
  - load capacity: 120 kg
- Delivery:** mounted to enclosure

Order no. (set)
160-014-80

### Earthing kit



- allows an earthing of all cabinet components acc. to VDE

For installation height	Order no. (set)
3 - 6 U	160-033-10
9 - 15 U	160-039-10
18 U	160-048-10

### M5 screw set



- Delivery:**
- 50 oval head screws M 5 x 12
  - 50 cage nuts M 5 x 12
  - 50 decorative washers M 5 with collar

Order no. (set)
630-991